

- **Before use**
- **Maintenance**
- **Installation**

DISHWASHER

Contents

Important safety information	2
Before use	3
Setting the water softener	3
Filling with salt	4
Filling with rinse aid and adjusting the dose	5
Use of detergent	6
Hints and tips	7
Maintenance and cleaning	8
Internal cleaning	8
Cleaning the filters	8
External cleaning	8
Prolonged periods of non-operation	8
Frost precautions	8
Moving the machine	8
Something not working	9
Installation	10
Water supply connections	10
Water outlet connection	10
Electrical connection	11

Guide to use the instruction book



Safety instructions

1. 2. 3. Step by step



Hints and tips



Environmental information



Important safety information

It is most important that this instruction book should be retained with the appliance for future reference. Should the appliance be sold or transferred to another owner, or should you move house and leave the appliance, always ensure that the book is left with the appliance in order that the new owner can get to know the functioning of the appliance and the relevant safety information.

This information has been provided in the interest of your safety. You MUST read it carefully before installing or using the appliance.

Installation

- This appliance is heavy. Care should be taken when moving it.
- It is dangerous to alter the specifications or attempt to modify this product in any way.
- Care must be taken to ensure that the appliance does not stand on the electrical supply cable.
- Any electrical work required to install this appliance should be carried out by a qualified electrician or competent person.
- Any plumbing work required to install this appliance should be carried out by a qualified plumber or competent person.

Child Safety

- This appliance is designed to be operated by adults. Children should not be allowed to tamper with the controls or play with the product.
- Keep all packaging well away from children.
- Keep all detergents in a safe place out of children's reach.


During Use

- Items that are contaminated by petrol, paint, steel or iron debris, corrosive, acidic or alkaline chemicals must not be washed in this dishwasher.
- Under no circumstances should you open the door whilst the appliance is in operation. Always turn off the appliance before opening the door.
- Only use detergent specifically designed for use in dishwashers.
- Long bladed knives stored in an upright position are a potential hazard.
- Long and/or sharp items of cutlery such as carving knives must be positioned horizontally in the upper basket.
- When finishing loading or unloading close the door, as an open door can be a hazard.
- Do not sit or stand on the open door.
- Isolate the appliance from the power supply and turn off the water supply after use.
- Care should be taken when cleaning the bottom door seal and hinge area as any exposed metal edges may cut if care is not taken.

- This product should be serviced by an authorised Service engineer, and only genuine spare parts should be used.
- Under no circumstances should you attempt to repair the machine yourself. Repairs carried out by inexperienced persons may cause injury or serious malfunctioning. Contact your local Service Force Centre. Always insist on genuine spare parts.

Conservation

In the interest of the environment:

- Materials marked with the symbol  are recyclable.
- Check with your local Council or Environmental Health Office to see if there are facilities in your area for re-cycling this appliance.
- When the appliance is to be scrapped, cut off the power supply cable and make the door closing device unusable to prevent young children from being trapped inside.
- Help to keep your country tidy - use authorised disposal sites for your old appliance.

Before use

Before using your dishwasher for the first time:

1. Ensure that the electrical and water connections comply with the installation instructions
2. Remove all packaging from inside the appliance
3. Set the water softener
4. Pour 1 litre of water inside the salt container and then fill with salt
5. Fill the rinse aid dispenser.

Setting the water softener

The dishwasher is equipped with a water softener designed to remove minerals and salts from the water supply, which would have a detrimental or adverse effect on the operation of the appliance.

The higher the content of these salts, the harder your water is.

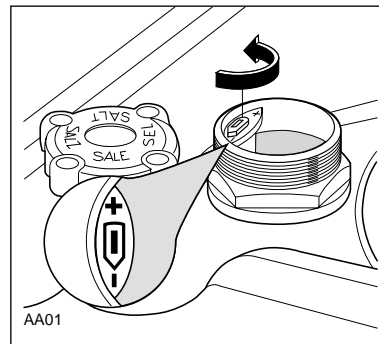
Water hardness is measured in equivalent scales, Clarke, French degrees and PPM (parts per Million).

The softener should be adjusted according to the hardness of the water in your area. Your local Water Authority can advise you on the hardness of the water in your area.

The dishwasher is factory set at level 2.

If this level is not suitable for your area the softener should be adjusted.

Water softener adjustment

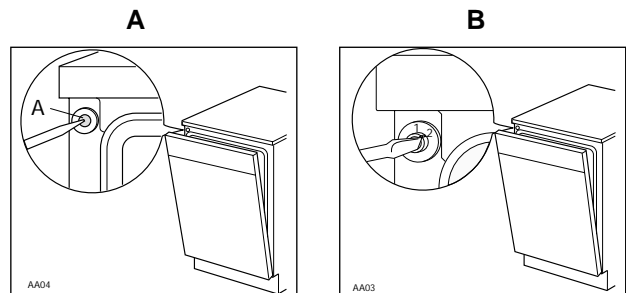


i If your water is level 1 it is already soft and therefore there is no need to use salt.

Only for dishwasher models with salt refill indicator light:

if the water softener has been adjusted on level 1 without use of salt, the salt refill indicator light on the control panel will always remain illuminated when the machine is switched on.

Adjustment on the machine



To adjust the water softener, follow the instructions given in the chart

Level	Water hardness			Use of salt	Water softener adjustment	Adjustment on the machine	
	French degrees (°TH)	Clarke degrees	PPM (parts per million)			A	B
1	0 - 14	0 - 10	0 - 140	NO	-	NO	1
2	15 - 39	11 - 27	141 - 390	YES	-	NO	1
3	40 - 50	28 - 35	391 - 500	YES	+	NO	1
4	51 - 70	36 - 49	501 - 700	YES	-	YES	2
5	71 - 90	50 - 63	701 - 900	YES	+	YES	2

Filling with salt



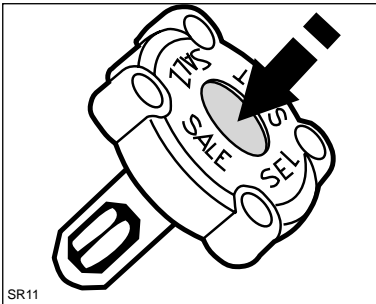
Attention!

Only use salt specifically designed for use in dishwashers. All other types of salt not specifically designed for use in dishwasher, especially table salt, will damage the water softener. Only fill with salt just before starting a washing programme (not the Rinse and Hold programme). This will prevent any grains of salt or salty water, which may have been spilled, remaining on the bottom of the machine, which may cause corrosion.

The salt container will require topping up periodically.

According to the model, an indicator reminds you when filling with salt:

- A) The salt cap has a **refill indicator window** in the centre. A **green float** is clearly visible when there is salt inside the container, and almost disappears when the salt has finished reminding you to add salt.

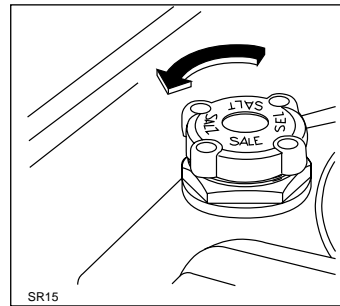


- B) A **salt indicator light** on the control panel will come on when the salt has finished.

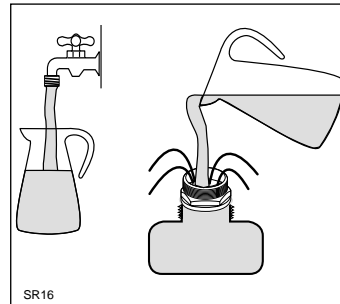


The salt indicator light on the control panel can remain illuminated for 2-6 hours after the salt has been replenished, assuming the dishwasher remains switched on. If you are using salts that take longer to dissolve then this can take longer. The function of the machine is not affected..

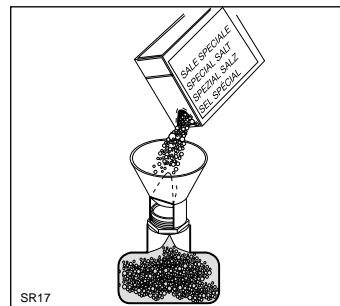
Do not worry if water over flows from the unit when filling with salt, this is quite normal.



1. Unscrew the cap of the salt container.



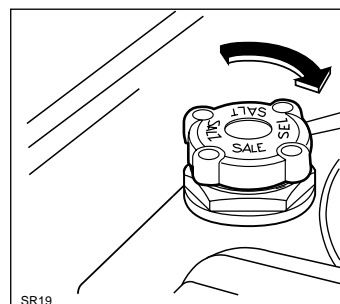
2. Pour 1 litre of water inside the container (this is necessary only before filling with salt for the first time).



3. Using the funnel provided, pour in the salt until the container is full.



4. Remove any trace of salt on the screw thread or on the gasket.



5. Screw on the cap tightly.

Rinse aid

Rinse aid is automatically added during the last rinse, ensuring thorough rinsing, and spot and streak free drying. The dispenser, which is positioned inside the door, holds about 110 ml of rinse aid, which is sufficient for 16 - 40 dishwashing programmes, depending upon the dosage setting.

Filling with rinse aid

1. Open the container by turning the lid (A) anticlockwise.
2. Add the rinse aid until the container is completely full. The indicator (B) will be completely dark.
3. Top up the rinse aid when the indicator (B) becomes clear.

Only for models with rinse aid indicator light

Top up with rinse aid when the rinse aid indicator light on the control panel illuminates.

Ensure that the lid is closed after every refill.

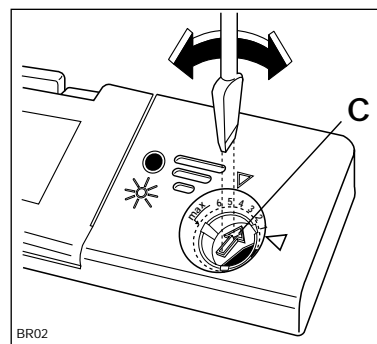
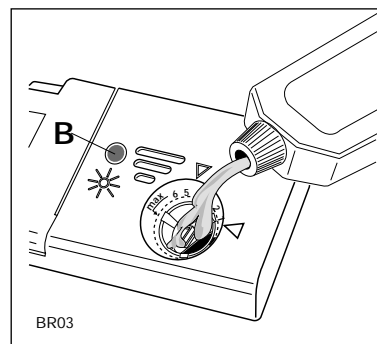
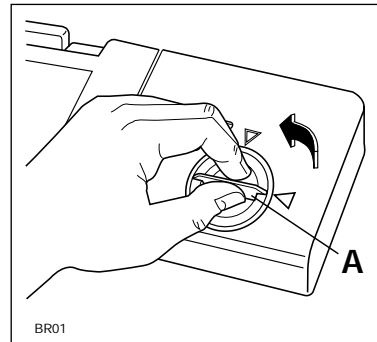
Do not put liquid detergent in the rinse aid compartment. Clean up any rinse aid spilt during filling with an absorbent cloth to avoid excess foaming during the next wash.

Adjusting the dose

According to the finish and drying results obtained, adjust the dose of rinse aid by means of the 6 position selector (C) (position 1 minimum dosage, position 6 maximum dosage).

Increase the dose if there are drops of water or lime spots on the dishes after washing.

Reduce it if there are sticky whitish streaks on the dishes.



Use of detergent

i Only use detergents specifically designed for use in dishwashers.

We recommend the use of **Finish** detergents which are available in the following options:

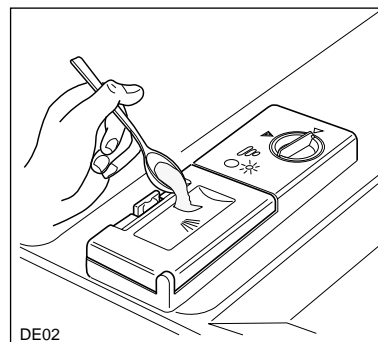
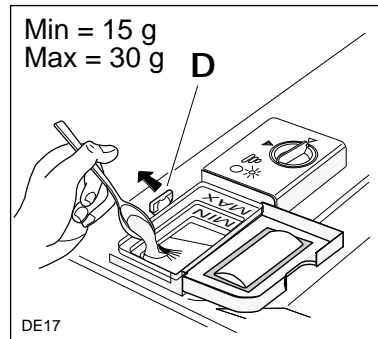
Finish Double Action Tablets. Each tablet has the exact amount of detergent required, simply place in the dispenser.

Finish Powder recommended for every day use.

Finish Liquid Gel ideal for every day use. As the gel is extra gentle it is recommended for fine bone china.

If using powder detergents proceed as follows:

1. Open the dispenser lid by pulling the catch (D).
2. Add the detergent according to the recommended quantity given in the "Washing programmes" chart (see "Instruction Book - part 2").
As all detergents are not the same, you should also consult the instructions on the packet.
3. Always close the lid.
4. If the programme has a prewash add a little amount of detergent over the lid of the dispenser. Follow the recommended quantity given in the "Washing programmes" chart (see "Instruction Book - part 2").



If using detergent in tablets proceed as follows:

1. For all programmes; place 1 tablet inside the detergent dispenser.
2. Always close the lid.
3. For all programmes with prewash; place a portion of a further tablet on the lid of the detergent dispenser.

If your dishwasher has a SID dispenser and you require a prewash, put the extra detergent into the SID dispenser and not on the lid of the detergent dispenser.



Insufficient quantities of detergent will produce poor washing results, whereas an excessive amount of detergent will not improve washing results and is also wasteful.

Using no more than the correct amount also contributes to reducing pollution.

Compact detergents with enzymes

In these compact powders the environmentally unfriendly components have been replaced by natural enzymes and other more biodegradable substances.

The enzymes deploy their full dirt dissolving power at a temperature as low as 50°C.

By choosing the 50°C programmes (**if available**) you can therefore achieve the same cleaning results that would otherwise be achievable only with 65°C programmes and conventional detergents.

Hints and tips

To save energy

Place dishes in the machine immediately after every meal and wait until the dishwasher is full before washing.

If necessary run the Rinse and Hold programme (see "Washing Programmes" chart) so that any food scraps do not become caked on the dishes while you are waiting to run the complete wash programme.

Do not prewash dishes under running water.

For best washing and drying results

Before loading, remove all scraps of food and soak very heavily soiled pots and pans.

Arrange saucepans, cups and glasses etc. upside-down.

Tilt items with convex or concave surfaces so that the water drains off easily.

Avoid contact between the dishes as far as possible.

Items not suitable for dishwashers

The following items should not be washed in the dishwasher (unless they are sold as dishwasher proof):

- Cutlery with wooden or horn handles or glued parts
- bronze cutlery
- saucepans with wooden handles
- aluminium ware
- crystal ware
- leaded glass
- plastic items
- antique or fine decorated china

Certain types of decoration can discolour when washed in a dishwasher.

Crystal-ware and plastic objects, if not guaranteed dishwasher proof should be washed by hand.

Certain types of glass can also become opaque after being washed several times in a dishwasher.

A chemical reaction can occur between silver cutlery and stainless steel cutlery. As a precaution, do not wash together.

Iron and cast iron objects can rust and stain other items.

Aluminium tends to go black, copper, pewter and brass tend to stain.

i If in doubt check with manufacturer of the item. When buying new dishes, ensure that they are dishwasher proof.

For best results we recommend the use of Finish detergents, rinse aid and salt.



Maintenance and cleaning

Internal cleaning

Ensure that the seals around the door, the detergent and rinse aid dispensers are cleaned regularly with a damp cloth.

We recommend the use of **Finish Dishwasher Cleaner** every 3 months or run a 65°C wash without dishes using detergent. Regular use of **Finish Dishwasher Cleaner** cleans inaccessible parts, eliminates unpleasant food odours and helps prevent the build-up of limescale.

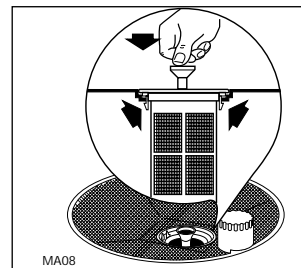
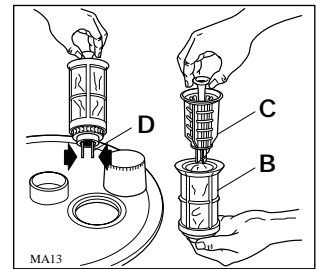
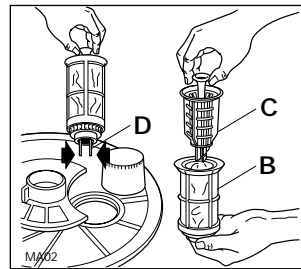
Cleaning the central filter

(After each wash)

Inspect the central filters (B) and (C) and remove any scraps of food with a brush, under running water.

Filters (B) and (C) are both removed by lifting up the outer one (B) (pulling the central funnel upwards); the smaller filter (C) can be removed by pressing the two tongues (D).

Once cleaned, refit the filters by pressing them down until they click into place.

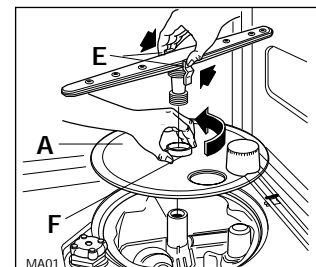
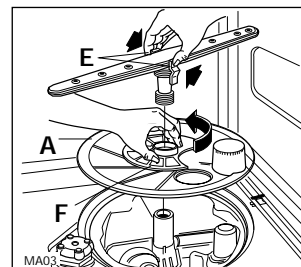


Cleaning the large filter

(Every week)

Clean the large filter (A) on both sides under running water, using a brush.

To take it out, remove the spray arm by pressing the two tongues (E), turn the ring (F) anticlockwise and then slide the whole part out. Refit the filter following the above instructions in reverse order.



i The dishwasher must not be used without filters. Incorrect repositioning and fitting of the filters will produce poor washing results. Cleaning the filters is vital to ensure correct operation of the machine.

External cleaning

Clean the external surfaces of the machine and control panel with a damp soft cloth. If necessary use only neutral detergents. Never use abrasive products, scouring pads or solvent (acetone, trichloroethylene etc....).

Prolonged periods of non-operation

If you are not using the machine for any period of time you are advised to:

1. Unplug the appliance and then turn off the water.
2. Fill the rinse aid dispenser.
3. Leave the door ajar to prevent the formation of any unpleasant smells.
4. Leave the inside of the machine clean.

Frost precautions

Avoid placing the machine in a location where the temperature is below 0°C. If this is unavoidable, empty the machine, close the appliance door, disconnect the water inlet pipe and empty it.

Moving the machine

If you have to move the machine (moving house etc....):

1. Unplug it.
 2. Turn the water tap off.
 3. Remove the water inlet and discharge hoses.
 4. Pull the machine out together with the hoses.
- Avoid over tilting the machine during transportation.

Something not working

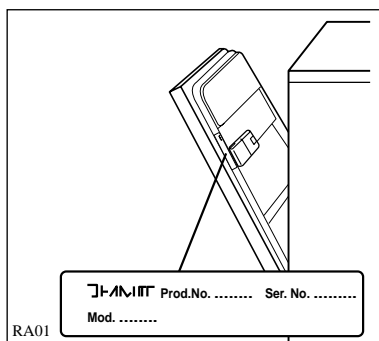
Certain problems are due to lack of simple maintenance or oversights, which can be solved easily without calling out an engineer.

Before contacting your local Service Force Centre, please carry out the checks listed below.

Important: If you call out an engineer to a fault listed below or to repair a fault caused by incorrect use or installation a charge will be made even if the appliance is in guarantee.

Symptom	Solution
The machine will not start	<ul style="list-style-type: none"> ● The door has not been properly closed. ● The plug is not properly inserted in the power socket. ● There is a power failure.
The machine does not fill with water	<ul style="list-style-type: none"> ● Ensure the water tap is open. ● Ensure the mains water supply has not been cut off. ● The inlet hose may be squashed or bent. Reposition the hose. ● The inlet hose may be blocked. Switch off the water supply and clean the filter.
The filters are blocked	<ul style="list-style-type: none"> ● Clean the filters (refer to "Maintenance and cleaning").
The spray arms are not rotating	<ul style="list-style-type: none"> ● Ensure the crockery is loaded correctly.
The dishwasher will not drain	<ul style="list-style-type: none"> ● The drain hose may be squashed or bent. Reposition the hose. ● The sink may be blocked. Clear any blockages. ● The drain hose extension is not correct. Follow the instructions for connecting to the waste. ● There is no vent in the end of the drain hose.
The machine is noisy	<ul style="list-style-type: none"> ● Dishes are rattling against each other, refer to "Loading your machine". ● The spray arms are knocking against the dishes. Refer to "Loading your machine".
The door is difficult to close	<ul style="list-style-type: none"> ● The dishwasher is not level, or not properly built-in.
Visible lime deposits or white film on the dishes	<ul style="list-style-type: none"> ● Check that there is salt and that the salt cap is tight. ● Check that the right level of the water softener is set.
The dishes are not quite dry	<ul style="list-style-type: none"> ● The rinse aid has run out or too little is being used.
The dishes are not clean (poor wash)	<ul style="list-style-type: none"> ● The baskets are too full. ● The dishes have not been arranged properly. ● The spray arms do not rotate ● The spray arms are clogged. ● The filters are clogged. ● The filters are not in the correct position. ● Not enough detergent has been used or it is unsuitable. ● The detergent is old or has gone hard. ● The salt container cap is not properly closed. ● The washing programme selected is too gentle.


If after all these checks, the problem persists, contact your local Service Force Centre, quoting the model and serial number. This information can be found on the rating plate located on the right hand side of the dishwasher door.



Service and spare parts

i This product should be serviced by an authorised Service engineer, and only genuine spare parts should be used. Under no circumstances should you attempt to repair the machine yourself. Repairs carried out by inexperienced persons may cause injury or serious malfunctioning. Contact your local Service Force Centre. Always insist on genuine spare parts.

Installation

 **Any electrical work required to install this appliance should be carried out by a qualified electrician or competent person.**

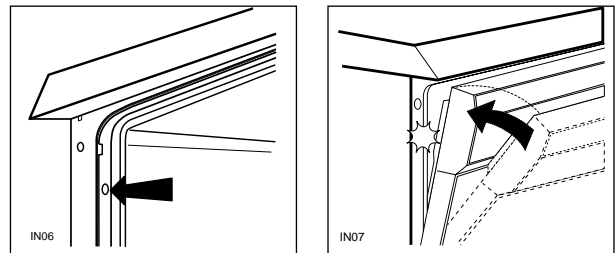
Any plumbing work required to install this appliance should be carried out by a qualified plumber or competent person.

Remove all packaging before positioning the machine.

If possible, position the machine next to a water tap and a drain.

Levelling

Good levelling is essential for correct closure and sealing of the door. When the appliance is correctly levelled, the door will not catch on the levelling spacers on either side of the cabinet. If the door does not close correctly, loosen or tighten the adjustable feet until the machine is perfectly level.



Water supply connections

This dishwasher must be plumbed into a cold water supply. The water pressure must be within the limits given in the "Technical specifications" (**Instruction Book - Part 2**).

Your local Water Authority will advise you on the average mains pressure in your area.

The dishwasher features fill and drain hoses which can be turned either to the left or the right to suit the installation.

Do not use, for connection, old hoses which have been used in another appliance.

The locknut must be correctly fitted to avoid water leaks.

Avoid bends or kinks in the hose which could prevent or slow down the water supply.

If the machine is connected to new pipes or pipes which have not been used for a long time, you should run the water for a few minutes before connecting the inlet hose. This will prevent deposits of sand or rust clogging the inlet hose.

Water outlet hose connection

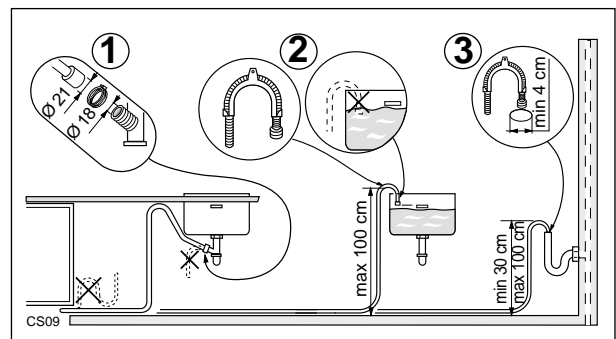
The end of the drain hose can be connected in the following ways:

1. To the sink outlet spigot, securing it if necessary with a clip.
2. Hooked over the edge of the sink using the special curved plastic guide (**if provided**).
3. To a stand pipe provided with vent-hole, minimum internal diameter 4 cm.

The waste connection must be at a height of between 30 cm (minimum) and 100 cm (maximum) from the bottom of the dishwasher.

The drain hose can face either to the right or left of the dishwasher

Ensure the hose is not bent or squashed as this could prevent or slow down the discharge of water.

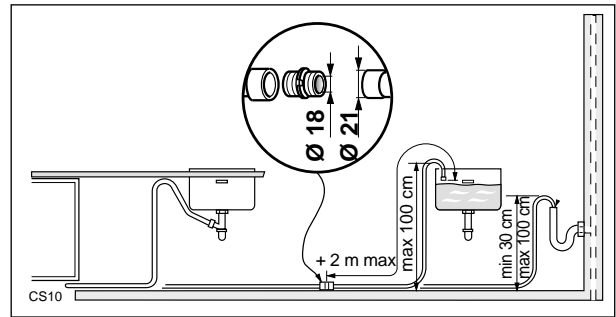


If you use a drain hose extension it must be no longer than 2 metres and its internal diameter must be no smaller than the diameter of the hose provided.

Likewise the internal diameter of the couplings used for connections to the waste outlet must be no smaller than the diameter of the hose provided.

The sink plug must not be in place when the machine is draining as this could cause the water to siphon back into the machine.

i Attention!
Our appliances are supplied with a with a security device to protect against the return of dirty water back into the machine.
If the spigot of your sink has a "no return valve" incorporated this can prevent the correct draining of your dishwasher. We advise you therefore to remove it.



Electrical connection

! This appliance must be earthed.
The manufacturer declines any responsibility should this safety measure not be observed.

If the plug that is fitted to your appliance is not suitable for the socket, it must be cut off and the appropriate plug fitted.

Important

The wires on the mains lead are coloured in accordance with the following code:

Green and Yellow	-Earth
Blue	-Neutral
Brown	-Live

If you fit your own plug, the colours of the wires in the mains lead of your appliance may not correspond with the markings identifying the terminals in your plug.

Proceed as follows:

1. Connect the Green and Yellow (earth) wire to the terminal in the plug which is marked with the letter "E" or the earth symbol \oplus or coloured green and yellow.
2. Connect the Blue (neutral) wire to the terminal in the plug which is marked with the letter "N" or coloured black.
3. Connect the Brown (live) wire to the terminal in the plug which is marked with the letter "L" or coloured red.

The plug moulded onto the lead incorporates a 13amp BSI362 fuse. Only ASTA or BSI fuses should be used.

The plug must not be used if the fuse cover/carrier is lost. The cover/carrier is indicated by the coloured insert at the base of the product.

A replacement cover/carrier must be obtained from your local Service Force Centre.

This appliance complies with the following E.E.C.

Directives:

- 73/23 or 19.2.73 (Low Voltage Directive) and subsequent modifications;
- 89/336 or 3.5.89 (Electromagnetic Compatibility Directive) and subsequent modifications.

